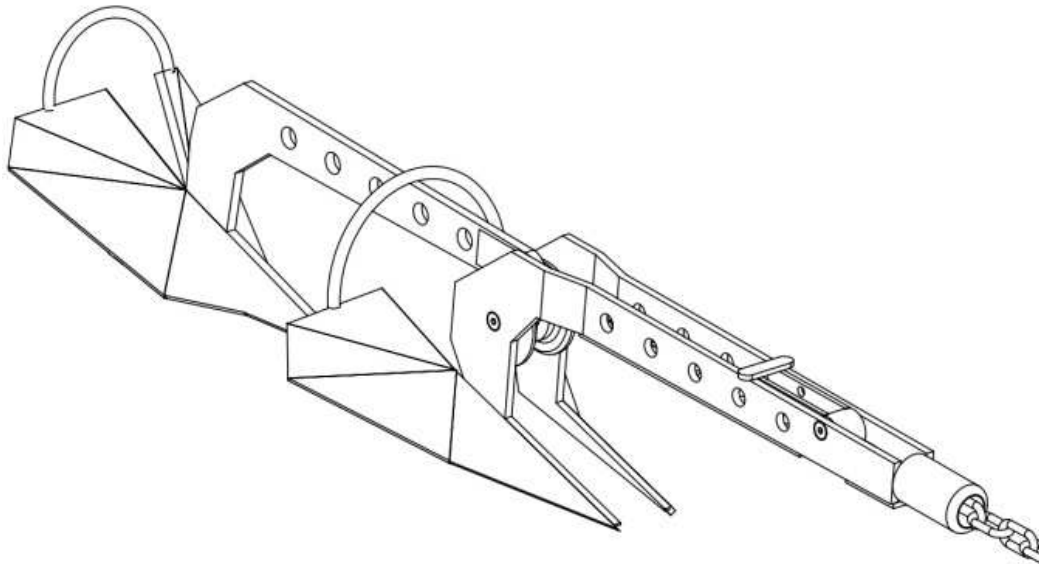


**User manual**

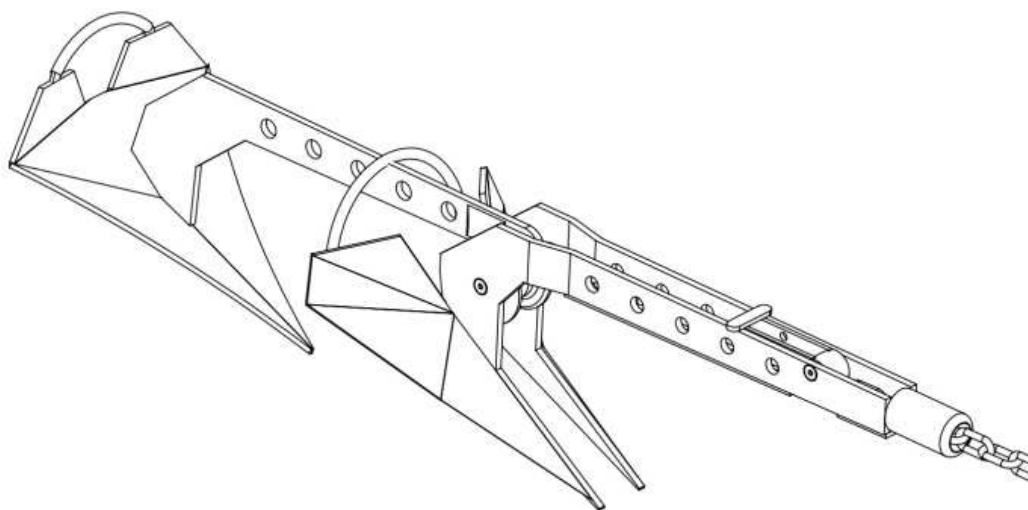
# **for the Wemar tandem anchor system**

**Models Classic, CXG and CXS series**



**and**

**Extra, EXG and EXS series**



## Dear Customer,

We thank you for purchasing your Wemar tandem anchor system. Wemar anchors are made of top quality materials according to the latest technology and quality guidelines. Each product is carefully inspected by hand.

! Please carefully read this manual entirely before using your Wemar tandem anchor system – it contains important safety information. If you need any further information, please consult your dealer or manufacturer.  
Disregarding these instructions could result in property damage and, in extreme cases, even threaten your personal safety.

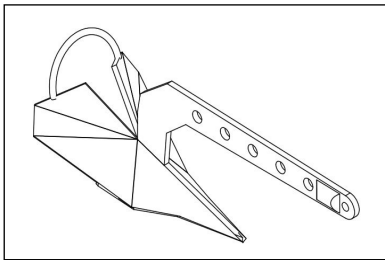
## Safety warning

Anchors are heavy: please handle them with care and caution. There is a danger of trapping while releasing, lifting and attaching the anchors. Do not allow children to handle them.

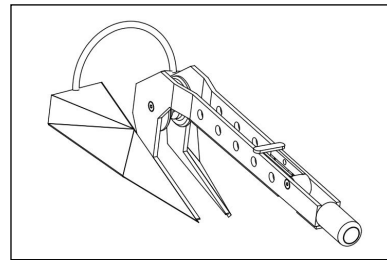
## System components of Wemar tandem anchor

The Wemar tandem anchor system consists of two anchors:

Smaller, tandem anchor



Heavier, main anchor



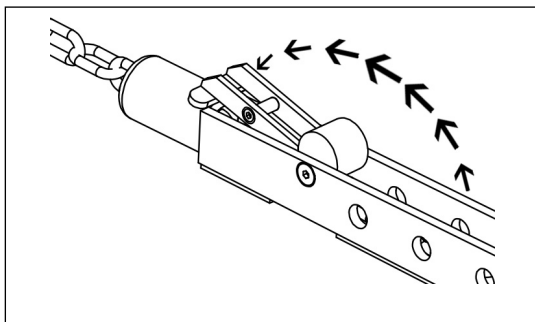
## Anchoring options

There are three options to use the anchor system:

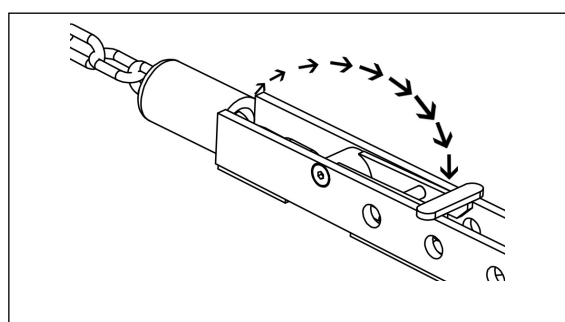
1. Anchoring with the small tandem anchor only,
2. Most common tandem anchoring,
3. Anchoring with both anchors together.

We select the option by opening and closing the lever on the main anchor at the appropriate stage while releasing the chain.

Opening the lever on the main anchor



Closing the lever on the main anchor

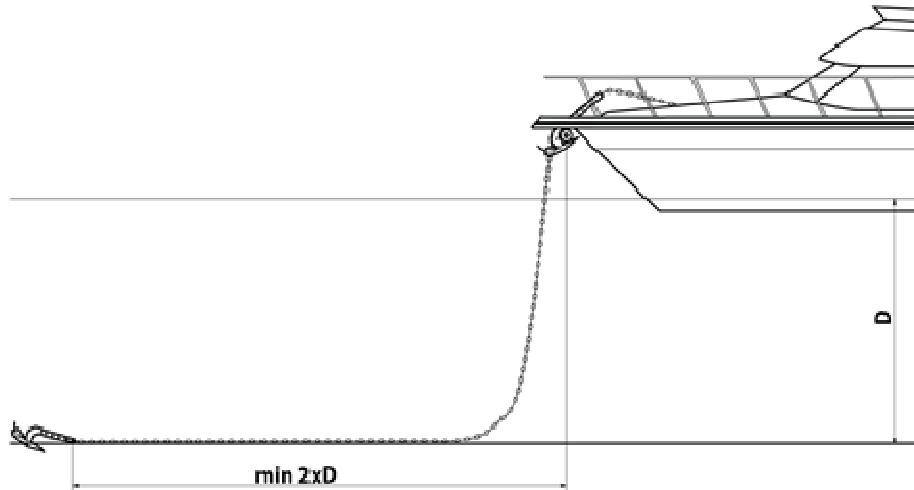


## 1. Anchoring with the small tandem anchor only

This technique is used for short daily anchoring in calm wether conditions. The tehniqe is fast and easy, comparable to ususal anchoring with one anchor.

Procedure:

1. Open the lever on the main anchor (if closed).
2. Release appropriate length of chain. It should be at least  $3\times$  longer than depth.

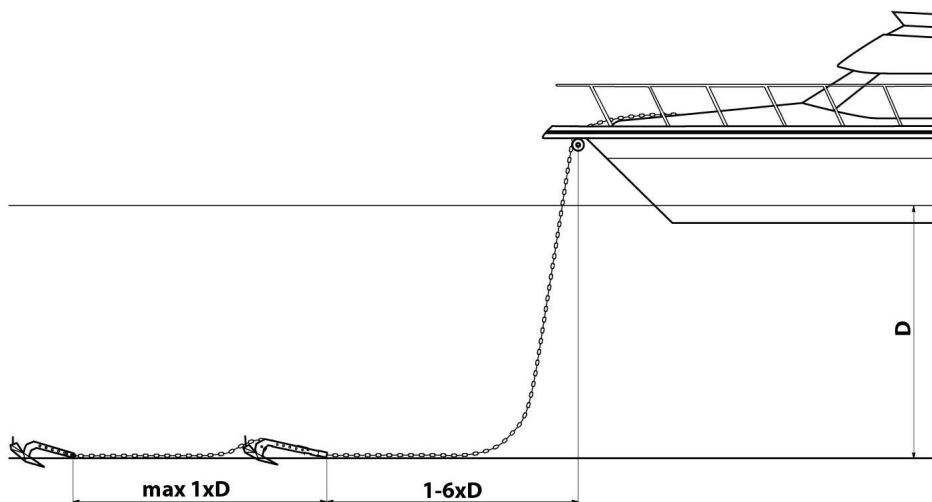


## 2. Most common tandem anchoring

This technique is used most frequently. Length of released chain should be at least  $3\times$  longer when staying over night in calm wether. In difficult wether conditions, use  $5-7\times$  longer chain, in extreme conditions even up to  $10\times$ , if available chain length allows.

Procedure:

1. Open the lever on the main anchor (if closed).
2. Release appropriate length of chain between tandem and main anchor. It should be something shorter than the depth so that the tandem anchor still does not catch the bottom.
3. Close the lever on the main anchor.
4. Continue releasing the chain and push the main anchor from the holder, so that it does not remain on deck.
5. Release appropriate length of chain.

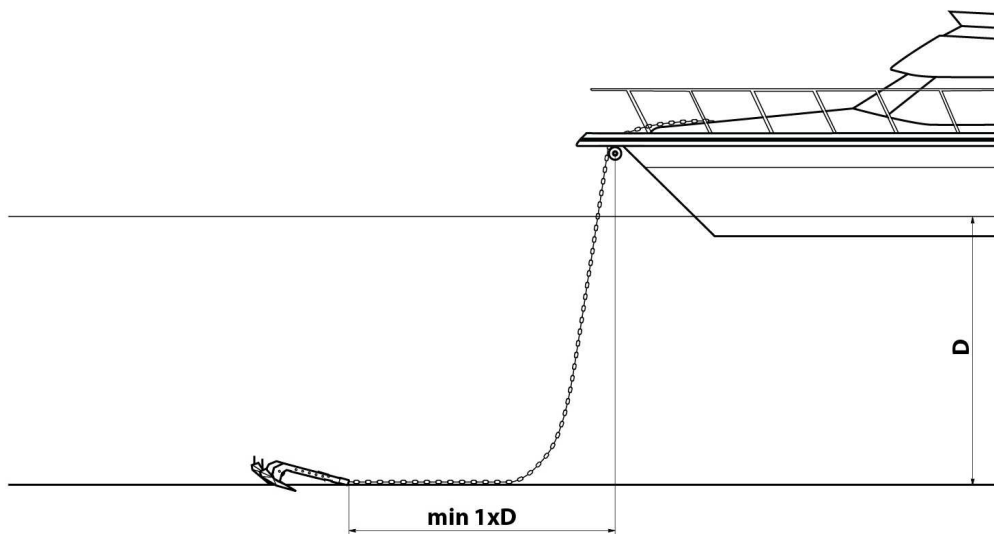


### 3. Anchoring with both anchors together

This technique is used in exceptional cases, in very busy anchorages, or when there is insufficient space to allow use of tandem anchoring technique. Using both anchors together allows to use slightly shorter chain length, but not shorter than at least 2x depth. This technique should not be used in challenging weather conditions.

Procedure:

1. Slightly release the chain.
2. Close the lever on the main anchor (if open).
3. Release appropriate length of chain.



### Lifting the anchors

Start by lifting chain. Carefully observe, when main anchor approaches the boat. Slowly lift the main anchor on deck. When the main anchor is in the holder on deck, open the lever and continue to lift the chain, until the tandem anchor reaches it's position within the main anchor.

If you used the technique of anchoring with the small tandem anchor only or anchoring with both anchors together, then lift the tandem or the two anchors together as you would otherwise with one common anchor only.



Manufacturer:

WEBER MARINE d.o.o.  
Iška 12b, 1292 Ig, Slovenia  
E-mail: [info@wemar.com](mailto:info@wemar.com)  
[www.wemar.com](http://www.wemar.com)